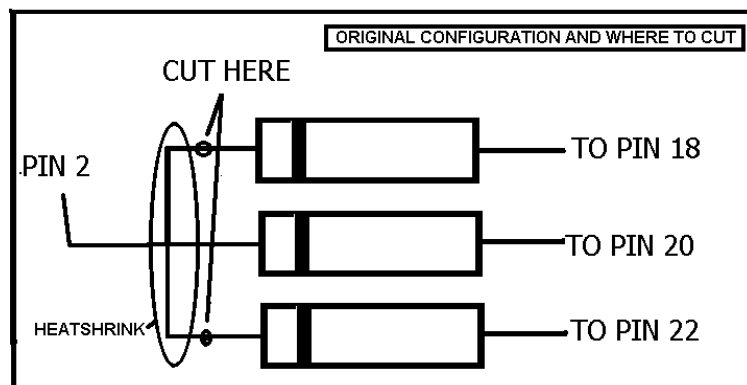
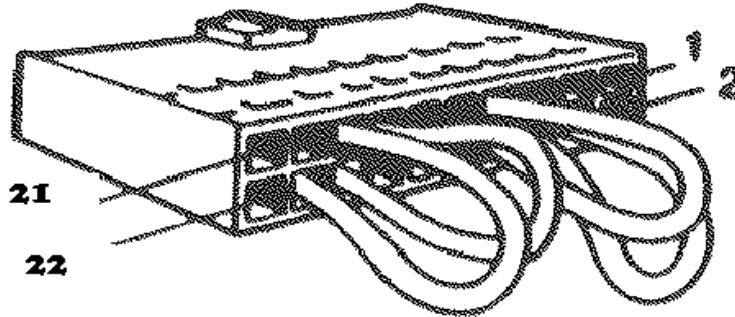
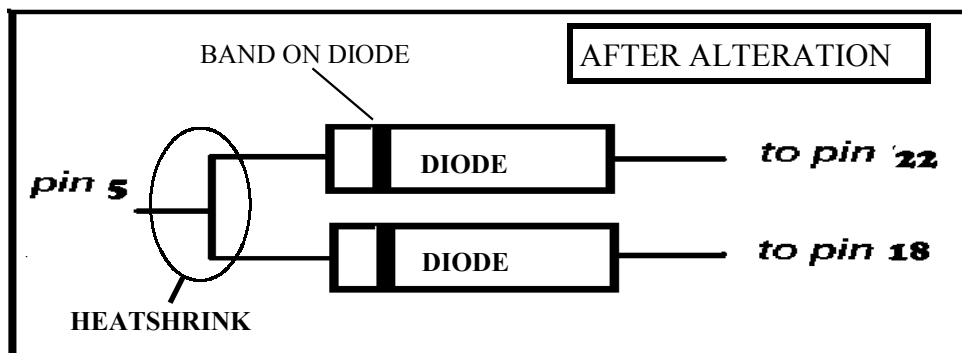


**To route 10p/20p/50p/£2 coins into rear cashbox and £1 coins to the front (Astra)
note: this bulletin is not from Astra Games**



Cashflow Validator

- Verify 3 diode cables going into 18, 20 & 22
- Cut wires coming from 18 & 22 as close as possible to the black heat shrink (at the banded end of the diode) and join together the 2 ends coming from the diodes, (you will have to cut back the existing heat shrink sleeving on both diodes about 10mm to access wire)
- onto this solder join a piece of link wire.
- Heat shrink over join leaving no bare wire
- Put the other end of the link wire into pin 5



Note: Leave diode link pin 20 to pin 2 as original