

EX 25



CAMERA HOUSING



EX25

The EX25 camera housing together with Miniflood IR creates a new standard for the look, quality and size of camera heads

Specifically designed to provide an attractive 24 hour solution when matched with Miniflood infra-red lighting options - MF100 and MFLED

The weather proof housing is designed to house board cameras and small compact cameras

The attractive compact design means EX25 is appropriate for all industrial and commercial applications as well as being suitable for domestic CCTV scheme, internal or external

EX25 is available in a range of colours to suit any application and a range of sizes to suit most board and compact cameras

Derwent offers a range of medium and high resolution cameras and a selection of lenses to suit many CCTV applications which can be incorporated into the EX25

Practical and attractive sunshield available for external applications



EX25 with sunshield and twin Miniflood IR lamps

EX25 All Weather Camera Housing

Attractive design matching Miniflood IR illumination

External and Internal application

Sunshield Option

Easy mounting options for Board and Compact Cameras

Small, attractive, robust construction

A variety of colours and a selection of sizes

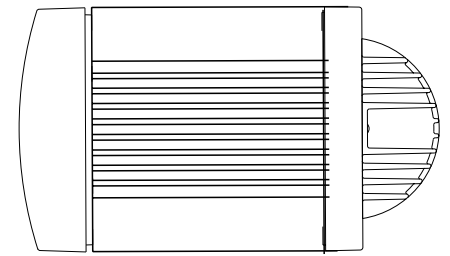
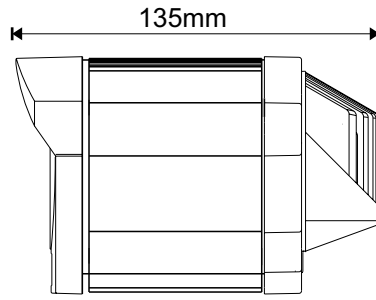
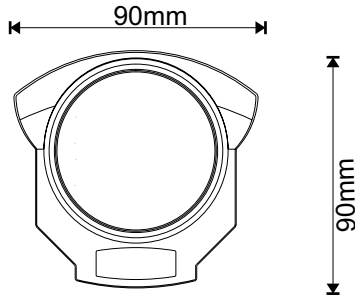
Miniflood EX25: Brings a new look, quality and size to camera heads

Easy Access

Derwent provide specialised advice and support for your night-time illumination CCTV projects and can arrange on-site demonstrations

All Weather Camera Housing

EX25

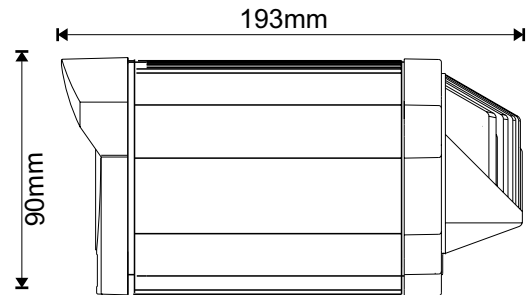


EX25

Internal Dimensions

EX25	60 (Depth) x 70 x 70 mm
EX25L	118 (Depth) x 70 x 70 mm
Entry	Front M4 Socket Head

Internal mounting plate provided to mount most standard board cameras and many compact cameras.



EX25L

External Dimensions and Weight

Construction	Robust aluminium casting/extrusion
Colour	Black (standard) RAL colours available as option
Weight	EX25 - 775g EX25L - 875g
Dimensions	As shown

Bracketry Specification

1/4" BSW mounting top and bottom

Sunshield (Option)



Dimensions	EX25-SUNS - 180 x 116 x 62 mm EX25-SUNL - 248 x 116 x 62 mm Single screw fixing
-------------------	---

Miniflood IR Lighting (24HR - Option)

MF100	Short Range Long Life IR
MFLED	Short Range Ultra Long Life IR

Ordering Information

1. EX25 All Weather Housing Small:	EX25
2. EX25L All Weather Housing Large:	EX25L
3. Sun Shield for EX25:	EX25/SUNS
4. Sun Shield for EX25L:	EX25/SUNL

Agent / Distributor

24HR CCTV

Europe:
Derwent Systems Limited
 Derwent House, Colbourne Crescent,
 Nelson Park, Cramlington, Northumberland, NE23 1WB
England
 Tel: +44 (0) 1670 730187
 Fax: +44 (0) 1670 730188

North America
Derwent Extreme Technologies Inc.
 4060 McConnell Drive
 BC V5A 3A8
Canada
 Tel: +001 604 533 6644
 Fax: +001 604 533 7800

The performance figures given are typical.
 In view of company policy of continuous
 product development the specifications
 may be changed without notice.
 Version 2.0