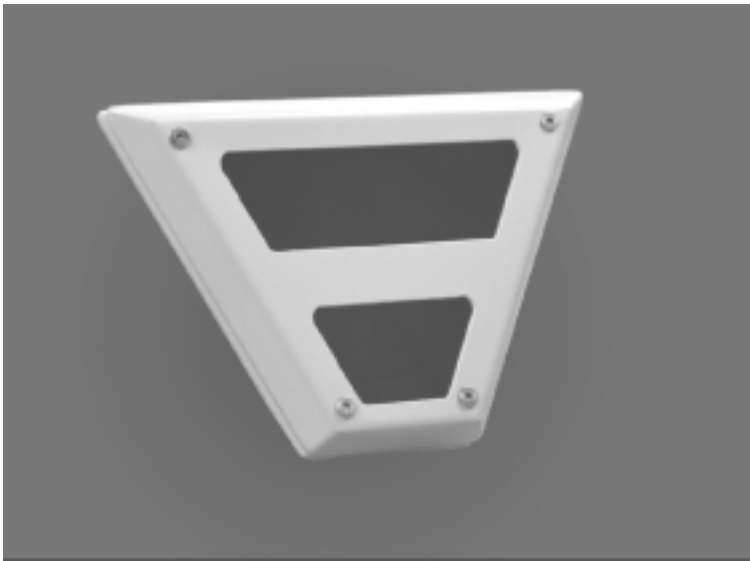


Long Life - 24hr Day and Night

EX35 & EX37

24-hour solutions for CCTV



EX35 & EX37

Specifically designed for 24 hour internal coverage in a variety of operating and illumination conditions including complete darkness. The unit contains a semi-covert 850nm LED array and a camera/lens combination which has been selected for optimum performance in the infra-red region

A range of lenses (2.5mm or 8mm) means that the EX35 & EX37 is a flexible observation tool for internal CCTV at ranges up to 15 metres. (Dependant on lens selection)

The compact vandal-resistant design with attractive face plates and covert IR illumination allows the EX35/37 to fit well into both industrial and commercial applications as well as being suitable for office and residential CCTV schemes

This self-contained "plug and play" low voltage (12V ~ 24V ac or dc) unit is the complete solution for 24hr coverage. Simple, single unit means reduced wiring and easy installation. Low running costs, extreme long life and "fit and forget" are all features which contribute to lower cost of ownership



EX37 - Wall Mount



EX35 - Corner Mount

Applications:

Schools, Factories, Residential, Lifts, Hospitals, Prisons, Offices

Camera and LED
in a single Corner
or Wall unit

Easy to install
"Plug and Play"
Fit and Forget

Range up to 15 metres
Min 5 year Life
24hour LED Unit

Discrete design for a
wide range of
applications

Colour options available

Small, discrete and
robust construction

24 Hour - no other
illumination required
Range of lens options
from 2.5 mm to 8 mm

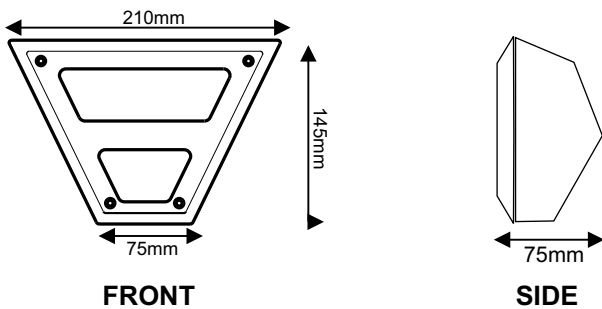
12v~24v(ac or dc) input

15 VA consumption

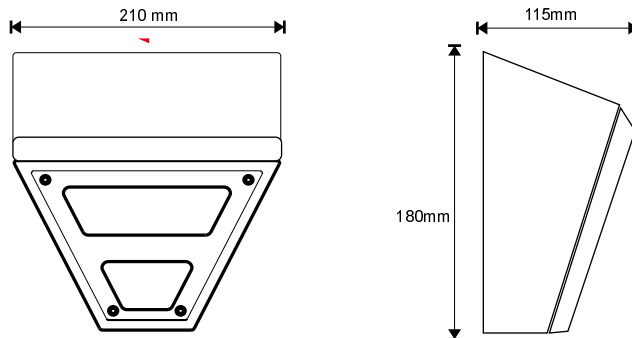
Semi-covert 850nm
LEDs as standard -
940nm as option

Derwent provide specialised
advice and support for
your night-time illumination
CCTV projects and can
arrange on-site
demonstrations

24hr Day and Night CCTV



EX35 - Corner Mount



EX37 - Wall Mount

Video

General

Camera	1/3" Mono Camera High Res. Standard CCIR, Optional EIA	
Lens	Options as below:	
Lens	Angle	Range*
3.8 mm**	64 Deg	Up to 10M
6.0mm**	42 Deg	Up to 15M

* Minimum useable picture at Hi-Power setting
 ** 2.5mm and 8mm lens versions available

LED

Array	Solid state LED array switchable to: Hi-Power 15VA Med-Power 10VA Lo-Power 5VA
--------------	--

Beam Angle	up to 64 Deg
Wavelength	850nm (940nm special to order)
Life	5 years plus

Power Supply Specification

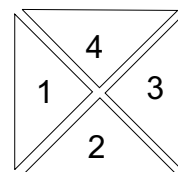
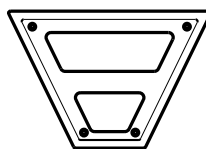
Input	12 to 24V ac or dc
Consumption	15VA on high power setting
Adjustment	Hi/Med/Low power setting

Ordering code:		
XXXX	XXX	XXXXX
Product	Lens	Enclosure Colour
EX35 or	3.8mm (3.8)	Grey
EX37	6.0mm (6.0)	RAL number
Examples:	EX35-3.8-Grey EX37-6.0-Black	

Physical Specifications

Corner Unit

Dimensions	W210mm X H145mm X D75mm
Weight	1kg
Mounting	Corner mounting directly to Wall/Ceiling surface. External mounting bracket option for ceiling mounting



Options:
1,2,3 or 4 units mounted together

Corner Mount

Wall Unit

Dimensions	W210mm X H180mm X D115mm
Weight	1kg
Mounting	Wall mounting directly to Wall and/or Ceiling surface. Quad mounting bracket option for ceiling mounting

Face Plate Options

Colour	Standard Grey (Ral 7035) RAL Options available
	Non-standard please call
Construction	Aluminium, powder-coat finish
Windows	Separate Windows for LED and Camera - Vandal Resistant
Ambient Temp.	Hi-Power - max temp 35 deg C Med-Power - max temp 40 deg C Lo-Power - max temp 45 deg C
Weatherproof	Protected against water spray and dust
Entry	Security bolts system

24hr Day and Night CCTV

Europe:
Derwent Systems Limited
 Derwent House, Colbourne Crescent,
 Nelson Park, Cramlington, Northumberland, NE23 1WB
England
 Tel: +44 (0) 1670 730187
 Fax: +44 (0) 1670 730188

North America
Derwent Extreme Technologies In.
 4060 McDonnell Drive
 BC V5A 3A8
Canada
 Tel: +001 604 533 6644
 Fax: +001 604 533 7800

The performance figures given are typical. In view of company policy of continuous product development the specifications may be changed without notice.