

Short Range - Long life



## Miniflood 100

Night-time illumination for CCTV



### Miniflood 100

Specifically designed for short-range CCTV schemes up to 50 metres Miniflood is the latest addition to Derwent's complete range of high performance night-time illumination products

Small, attractive and robust, Miniflood has all the benefits of Derwent's range being efficient and reliable with outstanding bulb life - average of 8,000 hours

A comprehensive range of lens and filter options means that Miniflood is flexible and appropriate for all short range IR requirements.

The attractive compact design means Miniflood is appropriate for all industrial and commercial applications as well as being suitable for retail and domestic CCTV schemes

Colour version with mired shift filter for balanced, visible white light output for colour CCTV schemes



Derwents Infra Red Range of Products

### Miniflood 100 Short Range Long Life

Long bulb life - Average over 2 Year Operation

High output radiation through high efficiency optics and high output bulb

Range of 3 beam patterns: narrow, medium and wide lenses to allow efficient coverage of all CCTV scenes

Overt filters (730nm) & semi-covert (830nm) as standard. Discrete or colour-balanced filters as options

Small, attractive, robust construction

Extensive mounting options

High efficiency optics and long life bulb Saves running, maintenance and installation costs

Low voltage at camera head

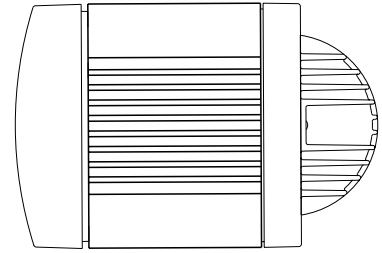
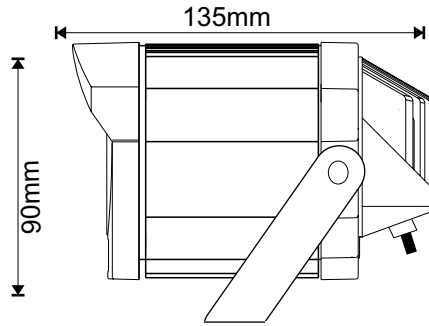
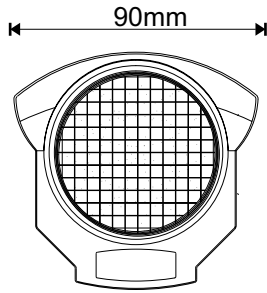
Derwent provide specialised advice and support for your night-time illumination CCTV projects and can arrange on-site demonstrations

Miniflood -Night-time illumination for CCTV

Note: For achievable distances please refer to the Matrix

Short Range - Long Life

# Miniflood 100



## Illuminator Specification

### General

<b>Consumption</b>	70W
<b>Optics</b>	Optimised focus optical system
<b>Bulb-life</b>	Average 8,000 hours
<b>Construction</b>	Robust aluminum casting/extrusion
<b>Weight</b>	<800g
<b>Colour</b>	Black (standard) RAL colours available as option
<b>Cable Length</b>	Supplied with 2m lead

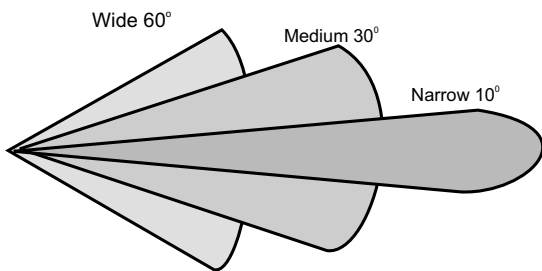
### Filter Specifications

<b>Standard Filters</b>	730nm	<b>Special to order</b>	950nm
	830nm		Colour

### Lenses/Beam Patterns

- 10° Narrow** (Useable up to 15°)  
Suitable for 16mm lenses and longer\*
- 30° Medium** (Useable up to 45°)  
Suitable for 6mm - 16mm lenses\*
- 60° Wide** Suitable for 6mm and shorter\*

\*Calculations based on 1/3 Inch CCD



## Power Supply Specification



### Standard Range

<b>Mains Supply</b>	220 - 240V, 50Hz
<b>Output</b>	Nominal 12V , 5.5A
<b>Photocell</b>	Dusk/Dawn automatic switching
<b>Remote Control</b>	Volt Free switching from telemetry system (PSUMINIST Only)
<b>Physical</b>	IP66 Enclosure

### Twin and Single Options

<b>Single</b>	PSU MINI SS
<b>Twin</b>	PSU MINI ST

### Bracketry Specifications

**U-Bracket** As standard

**1/4" BSW** tapped hole for top and bottom mounting

**Note:** Range, video signal, signal/noise ratio and field of view will depend on sensitivity and spectral response of camera/lens combination

Contact Derwent for advice on your proposed scheme

Replacement bulb type: **MINILL**

### Ordering Information

Specify as **separate** items:

1. Specify lamp(s) incl. lens & filter MF100/10/730
2. Specify power supply PSU MINI SS

Agent/Distributor

## Miniflood - Night-time illumination for CCTV

**Europe:**

**Derwent Systems Limited**

Derwent House, Colbourne Crescent,  
Nelson Park, Cramlington, Northumberland, NE23 1WB

**England**

Tel: +44 (0) 1670 730187

Fax: +44 (0) 1670 730188

**North America:**

**Derwent Extreme Technologies Inc.**

4060 Mcconnell Drive  
BC V5A 3A8

**Canada**

Tel: +001 604 533 6644

Fax: +001 604 533 7800

The performance figures given are typical. In view of company policy of continuous product development the specifications may be changed without notice.  
Version 2.0