

Short Range - Ultra Long Life

Miniflood LED

Night-time illumination for CCTV



Miniflood LED

Ultra long life, high reliability infra-red illuminator using solid state high efficiency LED's. Versatile input voltage 12 to 24V AC or DC

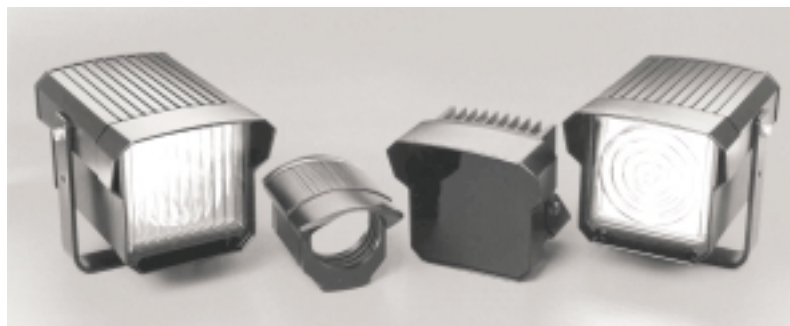
The inherent low power consumption of the solid-state LED array results in very low running cost over the life-time of the system

Specifically designed for short-range CCTV schemes, Miniflood LED compliments Derwent's range of high performance night-time illumination products and is adaptable to many short-range scenes with adjustable power settings

Developed for indoor and external applications with ranges up to 20 metres with IR sensitive cameras and lenses

Small, attractive and robust, Miniflood LED has all the benefits of the Derwent range being efficient and reliable

The attractive compact design means Miniflood LED is appropriate for all industrial and commercial applications as well as being suitable for domestic CCTV schemes and is designed to match Derwent's range of EX25 camera housings



Derwent's Night time CCTV Range of Products

Miniflood - Night-time illumination for CCTV

Note: For achievable distances please refer to the Matrix



**MFLED Series
Ultra Long Life
with photocell**

Solid State
>5 years life

Semi covert 850nm
and covert 940nm

Adjustable power
settings to match
scene requirements

Low power consumption
Low running costs

Small, attractive,
robust construction

Extensive
mounting options

Rated for internal
&
external applications

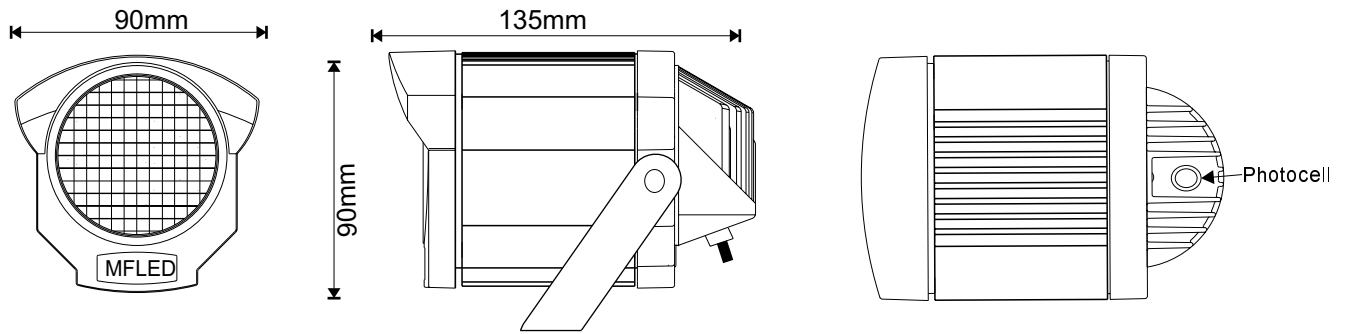
Low voltage at
camera head

Matched design to
EX25 camera housing

Derwent provide specialised
advice and support for
your night-time illumination
CCTV projects and can
arrange on-site
demonstrations

Short Range -Ultra Long Life

Miniflood LED



Illuminator Specification

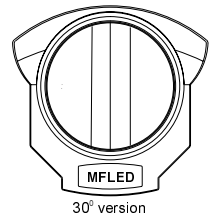
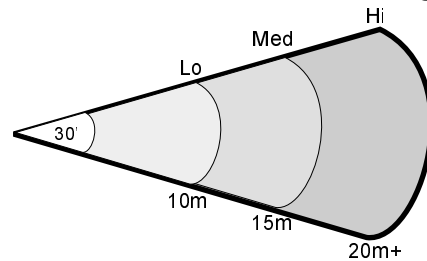
General

Input	12 to 24V AC or DC
LED Array	850 nm semi-covert or 940 nm covert
Power * Consumption	15VA Max. On High High - Med - Low Settings <i>* Switchable internally</i>
Temperature Range	30°C ambient max on Hi power 40°C ambient max on Med power 45°C ambient max on Lo power
Construction	Robust aluminium casting/extrusion
Weight	0.8Kg
Colour	Black
Connecting lead	Supplied with 2 metres connecting lead

Beam Patterns

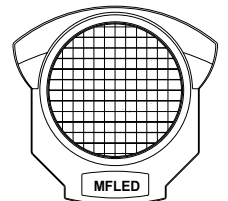
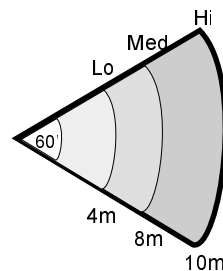


Angle 30° (Usable to 45°) Medium
suitable for 6mm lenses and longer



Distances as a guide only
based on 850nm version
with IR sensitive camera

Angle 60° - Wide
suitable for 2.8mm ~ 6mm lenses



Distances as a guide only
based on 850nm version
with IR sensitive camera

Note: Range, video signal, signal/noise ratio and field of view will depend on sensitivity and spectral response of camera/lens combination
Contact Derwent for advice on your proposed scheme

Internal PSU Specifications

Input	12 to 24V AC or DC
Photocell	Dusk/Dawn automatic switching
Consumption	20VA Max

Bracketry Specification

U-Bracket	Standard
1/4" BSW	Top and Bottom Mounting

Ordering Information:

Product	Order Code
1. 850nm LED with 30 deg spread:	MFLED 30/850
2. 850nm LED with 60 deg spread:	MFLED 60/850
3. 940nm LED with 20 deg spread:	MFLED 20/940
4. 940nm LED with 50 deg spread:	MFLED 50/940

Agent/Distributor

Miniflood - Night-time illumination for CCTV

Europe:
Derwent Systems Limited
 Derwent House, Colbourne Crescent,
 Nelson Park, Cramlington, Northumberland, NE23 1WB
England
 Tel: +44 (0) 1670 730187
 Fax: +44 (0) 1670 730188

North America
Derwent Extreme Technologies Inc.
 4060 Mcconnell Drive
 BC V5A 3A8
Canada
 Tel: +001 604 533 6644
 Fax: +001 604 533 7800

The performance figures given are typical.
 In view of company policy of continuous
 product development the specifications
 may be changed without notice.
 Version 2.0