

High Performance

Uniflood 500

Night-time illumination for CCTV



Uniflood 500

Derwent's High Power solution to night-time illumination for CCTV schemes.

Smaller, lighter and more efficient, this high-power illumination system can be used for scenes up to 200 metres long and up to 60° wide

High efficiency Infra-Red radiation achieved with gold optics and matched quartz halogen bulb source combined to reduce power consumption and prolong average bulb life

Colour version with mired shift filter for balanced, visible white light output



IR OFF (Zoom)



IR ON (Zoom)

Scene 200 Metres

The unique Derwent cosec², 10° and 30° lenses offer even illumination over large scene areas to provide foreground to background video for today's CCTV cameras

Uniflood 500 Series High Performance

High output Radiation through high efficiency gold optics and high output bulb

Range of beam patterns with narrow and wide cosec even-illumination lenses and traditional spot and flood

Overt filters (730nm) & semi-covert (830nm) as standard. Covert or colour-balanced filters as options

Small, robust construction with toughened lens

Low power consumption at less than 50% of ordinary 500W lamp achieved with high efficiency optics. Saves running and electrical installation costs

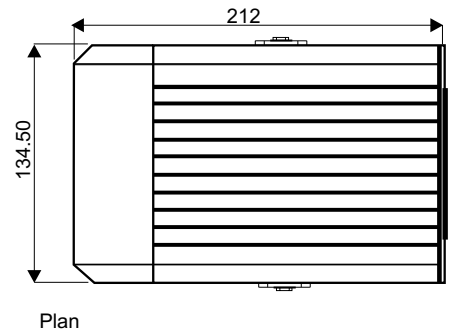
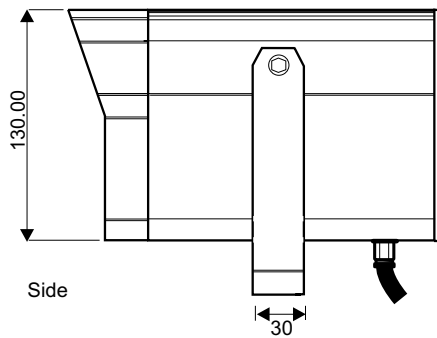
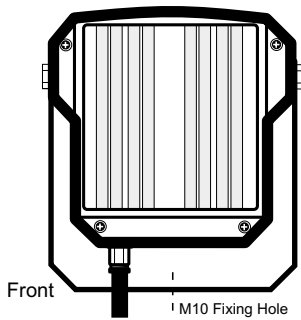
Long bulb life
Average 3,000 hrs

Low voltage at camera head

Derwent provide specialised advice and support for your night-time illumination CCTV projects and can arrange on-site demonstrations

High Performance

Uniflood 500



Illuminator Specification

General

Radiated output	Similar to ordinary 500W
Optics	Optimised focus, gold optics system
Consumption	220W
Bulb-life	Average 3,000 hours
Construction	Robust aluminium casting/extrusion
Weight	1.9kg
Colour	Black (standard) other RAL colours as options
Cable Length	Supplied with 4m lead

Filter Specification

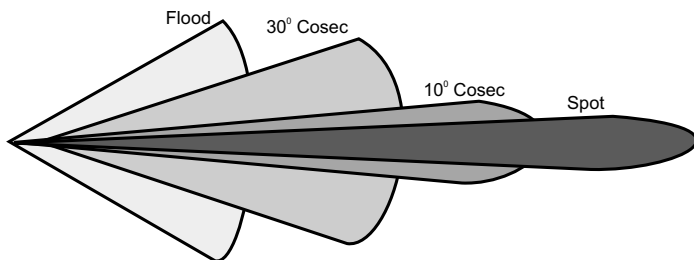
Standard Filters	730nm	Specials to order	790nm
	830nm		950nm
	Colour		

Beam Patterns

Standard Lenses	10° Cosec ²	Spot
	30° Cosec ²	Flood

Note: Range, video signal, signal/noise ratio and field of view will depend on sensitivity and spectral response of camera/lens combination

Contact Derwent for advice on your proposed scheme



Power Supply Specification



Standard Range - (SS & ST)

Mains Supply	230V, 50Hz Protected by 2A(T) slow blow fuse
Output	Nominal 28V adjustable by internal taps Single Lamp system PSU5SS ~ 220VA Twin Lamp system PSU5ST ~ 420VA
Photocell	Dusk/Dawn automatic switching
Remote Control	On/off volt-free contact switching from telemetry system
Auxiliary Output	12V DC to operate cameras., PIRs etc.
Physical	IP66 Enclosure Dimensions 250mm x 160mm x 95mm Weight : PSU5SS 3.4kg PSU5ST 4.2kg

Xtra-Function Range - (XS & XT)

Extra Functions See table below
For more information contact Derwent

Features	PSU5SS	PSU5ST	PSU5XS	PSU5XT
	Standard Single PSU	Standard Twin PSU	Xtra-Function Single PSU	Xtra-Function Twin PSU
Single Lamp System	●		●	
Twin Lamp System		●		●
Photocell	●	●	●	●
Remote Switch	●	●	●	●
12V DC Supply	●	●	●	●
24V AC Supply			●	●
Timer & Reset			●	●
Photocell activated contact			●	●
Adjustable photocell			●	●

Replacement bulb type: UNIPF

Ordering Information

Specify as separate items:

- | | |
|---|--------------------|
| 1. Specify lamp(s) incl. lens & filter | Order: |
| 2. Specify power supply incl. single or twin system | Uniflood500/10/730 |
| 3. Specify bracketry requirement, single or twin brackets | PSU5SS |
| | SB5270 |

Agent/Distributor

Europe:

Derwent Systems Limited

Derwent House, Colbourne Crescent,
Nelson Park, Cramlington, Northumberland, NE23 1WB

England
Tel: +44 (0) 1670 730187
Fax: +44 (0) 1670 730188

North America

Derwent Extreme Technologies Inc.

4060 McConnell Drive
BC V5A 3A8

Canada
Tel: +001 604 533 6644
Fax: +001 604 533 7800

The performance figures given are typical in view of company policy of continuous product development the specifications may be changed without notice.
Version 2.0